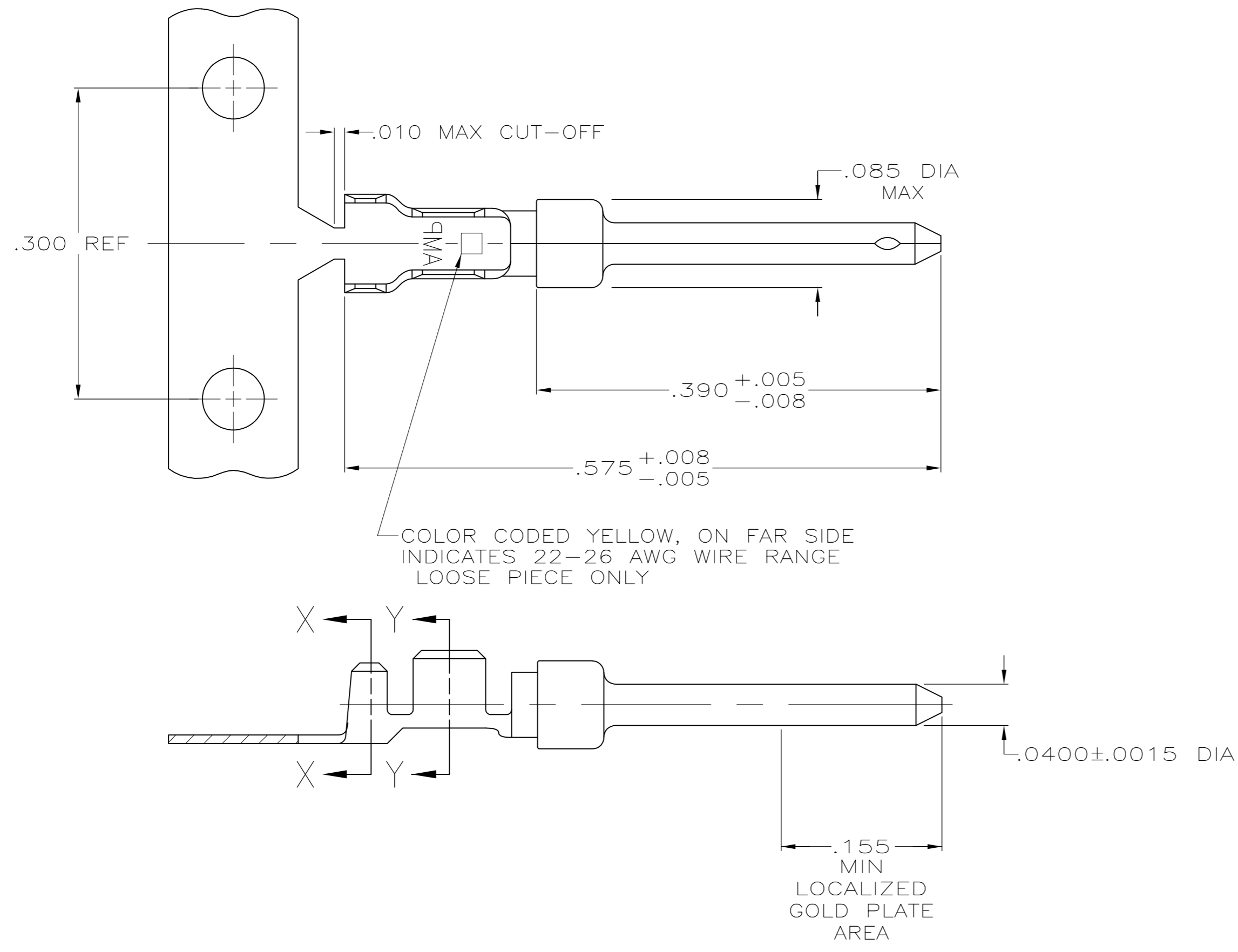
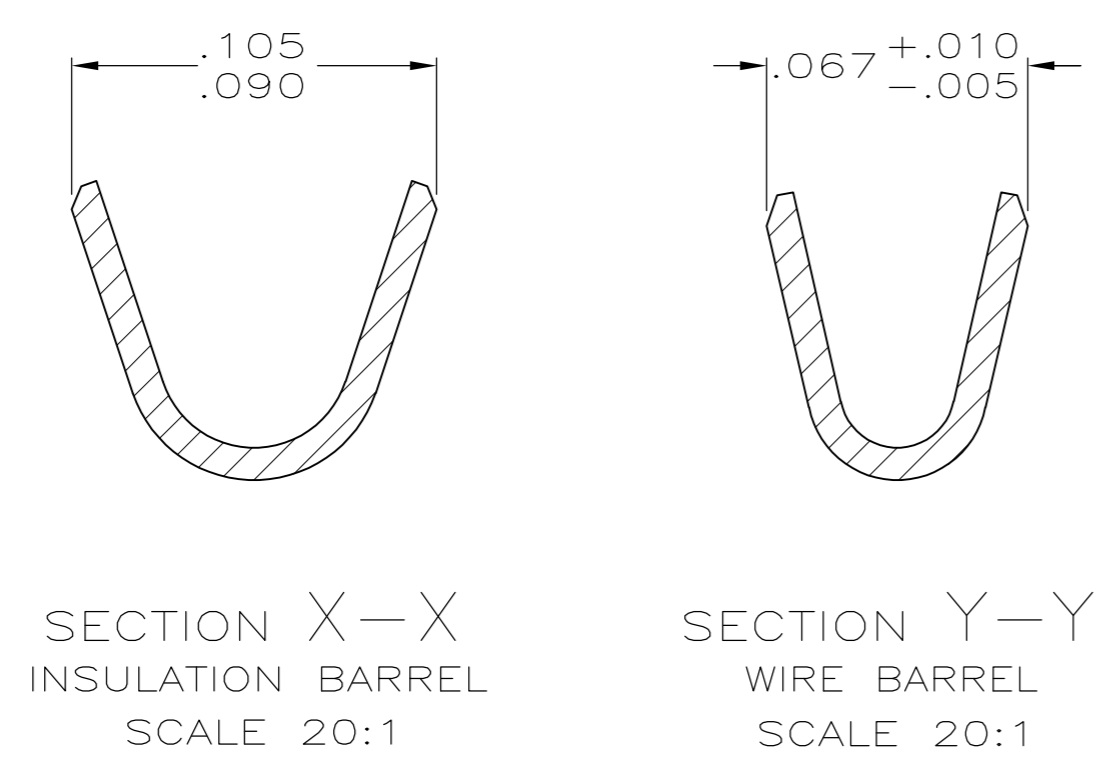


THIS DRAWING IS UNPUBLISHED. RELEASED FOR PUBLICATION
 © COPYRIGHT BY TYCO ELECTRONICS CORPORATION. ALL INTERNATIONAL RIGHTS RESERVED.

LOC	DIST	REVISIONS					
GP	00	P	LTR	DESCRIPTION	DATE	DWN	APVD
		K		REVISED PER ECO-08-011977	24JUL08	JDP	CWR



- 1 FOR MINI-APPLICATOR.
- 2 FOR HAND TOOL USE ONLY.
- 3. WIRE RANGE OF 22-26, INSULATION RANGE OF .040-.050.
- 4. GOLD PLATING MAY NOT APPEAR ON CARRIER STRIP.
- 5 GOLD PLATING PER MIL-G-45204.
NICKEL PLATING PER QQ-N-290.
TIN PLATING PER MIL-T-10727.
- 6 GOLD PLATED IN LOCALIZED GOLD PLATE AREA AS FOLLOWS:
.000030 MIN GOLD IN MATED AREA,
GOLD FLASH ON REMAINDER OF CONTACT, ALL OVER
.000050 MIN NICKEL UNDERPLATE.
OR
GOLD FLASH OVER
PALLADIUM-NICKEL PLATE, .000030 MIN TOTAL IN MATED AREA,
GOLD FLASH ON REMAINDER OF CONTACT, ALL OVER
.000050 MIN NICKEL UNDERPLATE.
- 7 .000001 MIN GOLD OVER
.000030 MIN NICKEL.
- 8 GOLD PLATED IN LOCALIZED GOLD PLATED AREA,
.000001 MIN GOLD IN MATED AREA,
TIN PLATED WIRE BARRELS, OVER
.000030 NICKEL.
- 9 GOLD PLATED IN LOCALIZED GOLD PLATED AREA,
.000030 GOLD IN MATED AREA,
TIN PLATED WIRE BARRELS, OVER
.000050 NICKEL.



OBSELETE	SMALL PACK	7	2	LOOSE PIECE	1-745254-7
OBSELETE	STANDARD	9	2	LOOSE PIECE	1-745254-6
OBSELETE	STANDARD	9	1	STRIP	1-745254-4
OBSELETE	STANDARD	8	2	LOOSE PIECE	1-745254-3
OBSELETE	STANDARD	8	1	STRIP	1-745254-1
	STANDARD	7	2	LOOSE PIECE	745254-7
	STANDARD	6	2	LOOSE PIECE	745254-6
	STANDARD	7	1	STRIP	745254-3
	STANDARD	6	1	STRIP	745254-2
PACKAGING TYPE	FINISH	USE	TYPE	PART NUMBER	

THIS DRAWING IS A CONTROLLED DOCUMENT.

DWN S.WELDON 9-9-86
 CHK C.RICHARD 9-9-86
 APVD V. KUMAR 9-10-86

Tyco Electronics Corporation
 Harrisburg, PA 17105-3608

NAME: PIN CONTACT, SIZE 20 DF, 22-26 AWG, W/.040-.050 DIA INSULATION SUPPORT

SIZE: A2 CAGE CODE: 00779 DRAWING NO: 114-10000 RESTRICTED TO: -

MATERIAL: BRASS PER MIL-C-50 FINISH: SEE TABLE WEIGHT: - SCALE: 10:1 SHEET: 1 of 1 REV: K

CUSTOMER DRAWING